

# *Masteri*

*Master in sterilization*

**21** Minute Cycle

**24** Month Warranty



**Class B**  
Autoclave

Masteri is the newest member of the Beyes family. Designed, prototyped and clinically tested for years prior to its market launch. Being one of the crucial piece of equipment, this unit has been engineered and worked carefully to ensure that the Masteri will withstand the toughest environments. Masteri is a Class B automatic-cycle autoclave and is available in 18 and 23 litre chamber sizes. It incorporates both Pre-Vac (removing air for optimal steam penetration) and Post-Vac (removing air for ultra-fast drying). It not only meets, but exceeds the requirements on "Class B+N" autoclave standard.



### Safe

This Class B autoclave meets and exceeds the latest regulatory requirements so you can focus on your practice.



### Secure

The built-in data logger saves time and money storing your data on a USB stick and has the option of an internal printer.



### Fast

Masteri delivers industry leading sterilized instruments in approximately 21 minutes.



### Simple

Sterilization options are easily accessible with the intuitive touch display to enhance user's experience.



## MASTERI Capacitance Control

Capacitive sensing control is a technology based on capacitive coupling that can detect and measure anything that is conductive or has a dielectric different from air. MASTERI is the first autoclave equipped with capacitive sensing control that offer several advantages.

**Seamless:** eliminates cracks hibernating any foreign substances

**Convenience:** activates the buttons even with gloves on

**Durable:** eliminates liquid or moisture damage to the buttons



**Pull-type drain connection:** users can start and stop water drainage tasks by pulling or pushing the drain tube lightly, making the operation incredibly simple.



The device is equipped with standard USB 2.0 interface. Data will be automatically recorded to the USB drive after each cycle.

## Safe Lock

**Hook Type Door Lock:** the mechanical primary door-lock and safety mechanism.

**Micro-switch Door Locking System:** a secondary door locking and safety system, ensuring the cycle will not start while the door is not securely closed.

**Electronic Door Lock:** locks the door pivot while the cycle runs. A tertiary protection and safety measure for ensuring the door is locked.



Aluminum Tray

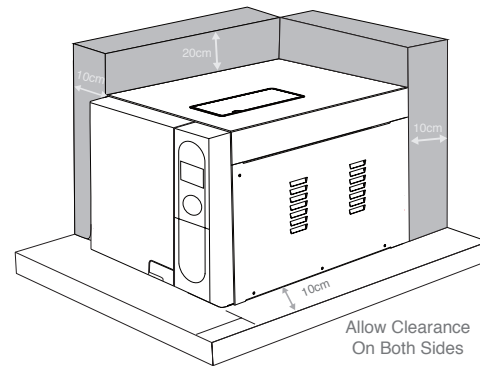
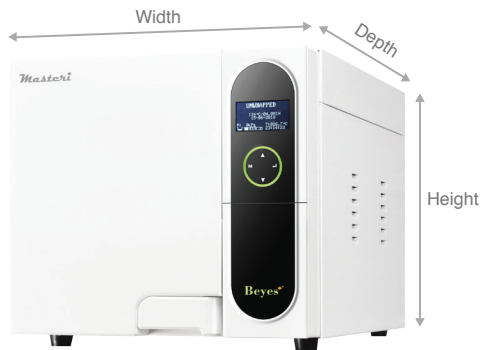


Bacteriological Filter



Double Hinge Door

## Key Specifications



	<b>Masteri 18L</b>	<b>Masteri 23L</b>
<b>Chamber (DxL)</b>	9.5" x 13.5" (241.5 x 343 mm)	9.5 x 18" (241.5 x 450 mm)
<b>Overall Dimensions (W x H x D)</b>	19.5" x 18" x 24" (490 x 455 x 600 mm)	19.5" x 18" x 27" (490 x 455 x 690 mm)
<b>Net Weight</b>	104 lbs (47 kg)	117 lbs (53 kg)
<b>Tray Dimensions (W x D)</b>	7.5" x 11" (192 x 280 mm)	7.5" x 15" (192 x 380 mm)
<b>Voltage</b>	110-130 V	110-130 V
<b>Frequency</b>	60 Hz	60 Hz
<b>Power</b>	1750 W	1750 W
<b>Circuit Breaker</b>	F16A / F20A	F16A / F20A
<b>Sterilization Temperature</b>	134°C	134°C
<b>Sterilization Pressure</b>	210 kPa	210 kPa
<b>Capacity of the Distilled Water Tank</b>	Approx. 2.5L	Approx. 2.5L
<b>Working Temperature</b>	5 °C - 40 °C	5 °C - 40 °C
<b>Working Relative Humidity</b>	Max. 80%, non-condensing	Max. 80%, non-condensing
<b>Max. Noise Level</b>	<70 dB	<70 dB
<b>Atmospheric Pressure</b>	76kPa - 106 kPa	76kPa - 106 kPa

**Beyes**<sup>®</sup>

Partnership for Success

Beyes Dental Canada Inc.  
23-595 Middlefield Road  
Toronto, Ontario, M1V 3S2  
Canada

Tel: 1-416-281-1888

Email: info@beyes.ca

Website: www.beyes.ca

### Your Dealer for Beyes Products



190, Boul. St-Elzéar Ouest  
Laval (Québec) H7L 3N3

T 450 669.8985 | 1 800 361.0877

F 450 669.9532 | 1 888 935.7001

[www.mtm.ca](http://www.mtm.ca)

Scan the QR code for more information on Masteri



Printed in Canada  
File #: ENB005  
Rev3/25.02.20

© Beyes Canada Inc. 2018. All Rights Reserved.  
Specifications are subject to change without notice.  
All brands are holders of their respective trademarks.  
All Beyes products are manufactured in strict compliance with Health Canada regulations ensuring quality.  
Manufacturing facility is ISO 13485 certified under Canadian Medical Devices Conformity Assessment System (CMDCAS).