



Hybrid Battery Portable **VET-20BT**

Compatible with Line Voltage and Battery Power.
Greatest Capacity storage enables max. 300 exposures by one full battery charging.
Simple and easy battery replacement.



VET-20BT

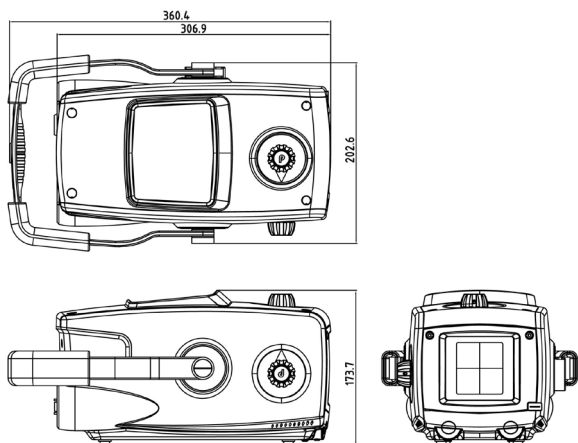
Hybrid Battery Portable



PRODUCT FEATURES

- Max. 300 exposures by one charging**
 The greatest capacity storage enables maximum 300 exposures by one full charging of battery. Energy balance indicator displays the time for battery charging and recognition LED will be lighted in case of full charge.
- Brilliant diagnostic images by high frequency technology**
 Superior high frequency inverter type generator realizes strong power output and brilliant clinical images, Well designed controller maintains stable mA and kVp feedback without errors against frequent exposures and secures distinguished reproducibility of x-rays..
- R/F Wireless communication**
 Without connecting cable from portable equipment to DR detector, R/F communication module gives ready and exposure signals to TFT detector.
- Composition**
 VET-20BT with RF module + TFT Detector + Workstation composed of TFT box, UMPC and RF module.

DIMENSIONS



TECHNICAL SPECIFICATIONS

Model	VET-20BT
Output Power	1.6 kW (800W)
Battery	Lithium ion polymer Battery
Radiography kV Range in 1Kv Steps	20mA (50 ~ 80kV / 0.4 ~ 3.2mAs) 10mA (50 ~ 80kV / 3.6 ~ 20mAs) 15mA (81 ~ 90kV / 0.4 ~ 3.2mAs) 8mA (81 ~ 90kV / 3.6 ~ 20mAs)
mAs Range	0.4 ~ 20mAs in 25steps
Max. kV Deviation	±1%
Max. mAs Deviation	±3%
Indication	kV (error code) /mAs: 7-segment LED
X-ray Tube	Focal Spot : 1.2mm x 1.2mm
	Target Angle : 19 degree
	Anode Heat Storage : 10 kJ
Total Filtration	2.5 mm Al eq. @ 90kV
Collimator	Double slit type, Manual operation
	X-ray Field Size : 35cm x 35cm @ 65cm SID
	Laser Pointer: 5mW Dual Laser
	Push button illuminator with 30 sec timer
Software	Lamp : 5mW Laser
	APR Memory : 15EA (Compounding of 5 keys) Infrared rays Remote control software and Remote control hand switch
Net Weight	6.8kg(15lbs)

*This information could be changed without prior notice and please refer to more detailed information at our website or user's manual.



Head office / R&D center / Ilsan plant
 4Fl., Unitech Ville, 1141-2, Beksuk-dong, Ilsandong-gu, Goyang, Korea 411-722
 Tel. +82-31-906-9007 (English 101~103), Fax. +82-31-908-4208
 E-mail: sales@poskom.com

Distributed by



MTM
 MÉDICAL TRONIK

190 Boul. St-Elzéar O., Laval (Qc) H7L 3N3

Tel : **450 669-8985** □ **1 800 361-0877**
 Fax : **450 669-9532** □ **1 888 935-7001**

www.medicaltronik.ca